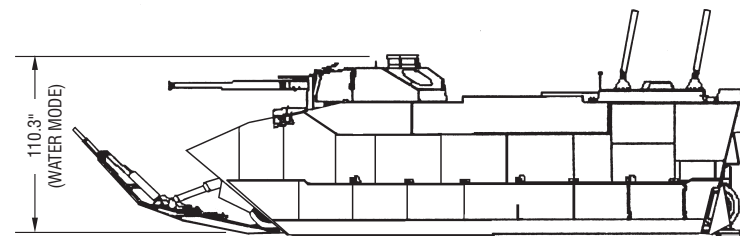
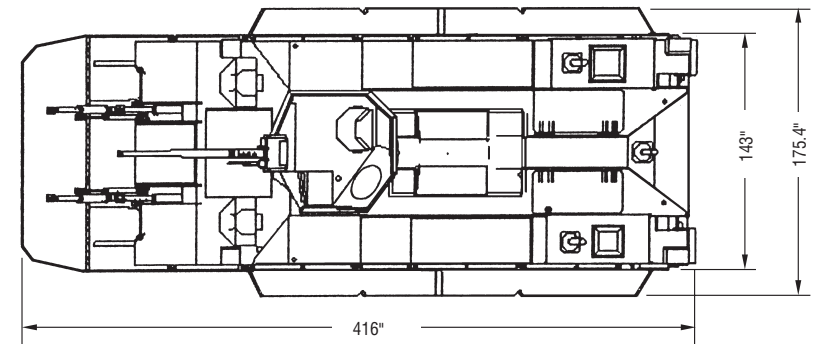


Expeditionary Fighting Vehicle



EFV - Specifications

Armor Protection	14.5mm AP 155mm Artillery Frag.	Speed-Transition Mode	10 MPH (9 knots)
Fire Suppression	Automatic (Non Ozone Depleting)	Roll Recovery	100 degrees
Environmental Control System	Climate Control w/Non Ozone Depleting Refrigerant	Reserve Buoyancy	27%
		Height to Turret Roof (Land Mode)	126 inches
Suspension	Retractable Hydropneumatic 18 inches of Jounce, 5.6 inches of Rebound	Overall Length-Land	365 inches
		Water Speed Mode	416 inches
12 Cylinder Engine	MTU MT883 Ka523 Diesel Water Mode, 2702 HP Land Mode, 850 HP	Width-Across Skirts	143 inches
		Ground Clearance	16 inches
Transmission	Allison X4560	GVW-Fully Loaded	76,000 lbs
		GVW-Empty	63,300 lbs
Water Propulsion	Two 23" Dia. Water jets	Ground Pressure @ GVW (21" Track Width)	8.9 psi
		Crew	3
Primary Weapon	MK44 Mod 1 30mm Automatic Cannon	Troops	17
		Cargo Capacity (in lieu of Infantrymen)	9,150 lbs
Coax Weapon	7.62mm M240 Machine Gun	Fuel capacity	324 gallons
		Ammo Rounds-30mm Ready	215
Operating Range-Land	325 miles	Ammo Rounds-7.62mm Ready	600
		Ammo Rounds-30mm Stowed	180
Operating Range-Sea	65 nautical miles	Ammo Rounds-7.62mm Stowed	800
		Speed-Land	45 MPH
Speed-High Water Speed Mode	23-29 MPH (20-25 knots)		



Significant Benefits

General Dynamics has achieved a true break through in combat vehicle design by providing high water speed, outstanding cross country mobility, fire power and protection in an amphibious vehicle. The Expeditionary Fighting Vehicle (EFV) possesses the ability to launch forces from 20-25 nautical miles out to sea and transport them to shore at speeds in excess of 20 knots (three times the current platform's speed). EFV provides the elements of flexibility and tactical surprise critical to establish battlefield dominance. Its inherent land mobility will generate uninterrupted momentum to attack the enemy's critical vulnerabilities.